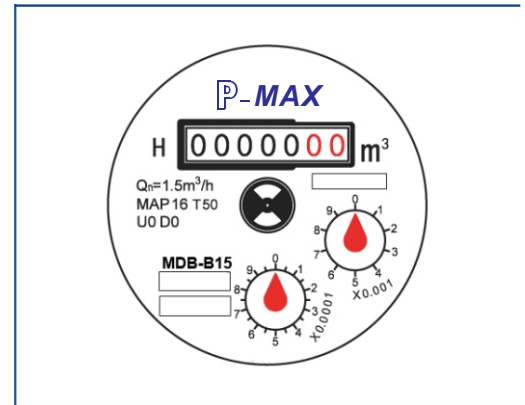


THREAD TYPE, BRASS BODY WATER METER CLASS B, TYPE P-MAX / MODEL MDB-B DN15-40



Dial



OPTION



MDB-B15

Sensor



MDB-B15

Pulse output

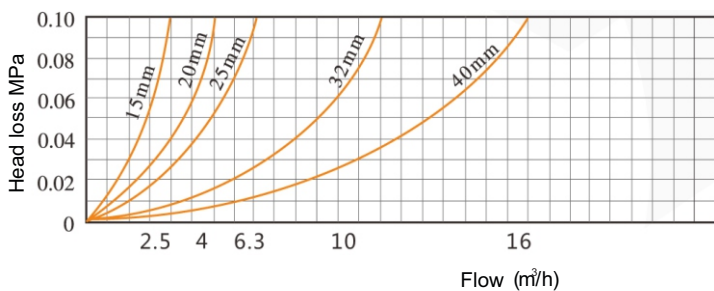
Features:

- Dry dial, Vacuum sealed to keep clean reading for long time .
- Available for cold water 0 ~ 50°C và nước nóng 30°C ~ 90°C.
- Magnetic transmission.
- Antimagnetic type.
- 360° Rotating dial

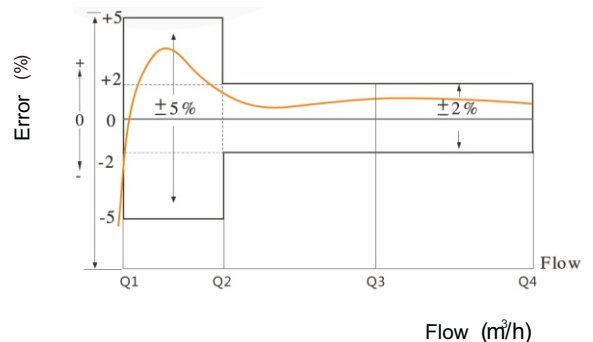
Upon request:

- Remote transmission device can be added upon request.
- Pulse output 10L / Pulse

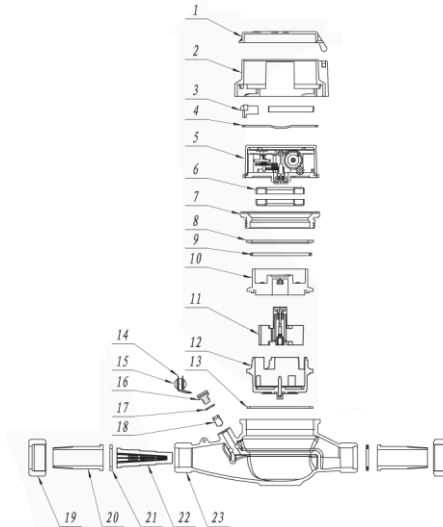
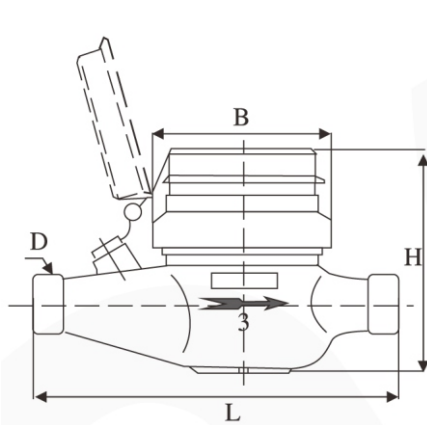
HEAD LOSS CURVE:



ERROR CURVE:



DIMENSION



1	Lid
2	Cover
3	Insert
4	Washer
5	Register
6	Magnetic shield
7	Locking ring
8	Gasket
9	O-ring
10	Cover plate
11	Vane wheel
12	Chamber
13	Gasket
14	Wire
15	Lead seal
16	Adjusting screw
17	Gasket
18	Adjusting insert
19	Nut
20	Liner
21	Gasket
22	Filter
23	Meter body

MAIN TECHNICAL SPECIFICATIONS

TYPE / MODEL	SIZE (mm)	Class	Q _{max}	Q _n	Q _t	Q _{min}	Minimum Reading	Maximum Reading
			Overload Flow	Permanent Flow	Transitional Flow	Minimum Flow		
			m ³ /h		L/h		m ³	
P-MAX/MDB-B15	15	B	3	1.5	120	30	0.00005	99,999
P-MAX/MDB-B20	20	B	5	2.5	200	50	0.00005	99,999
P-MAX/MDB-B25	25	B	7	3.5	280	70	0.00005	99,999
P-MAX/MDB-B32	32	B	12	6	480	120	0.00005	99,999
P-MAX/MDB-B40	40	B	20	10	800	200	0.00005	99,999

Accuracy class:		B					
Maximum permissible error for the lower flow rate zone (MPE _l):		±5%					
Maximum permissible error for the upper flow rate zone (MPE _u):		±2% for water having a temperature ≤30°C ±3% for water having a temperature >30°C					
Temperature class:		T30 and T50					
Water pressure classes:		MAP 16					
Pressure-loss classes:		△P63					
Indicating range[m3]:		99 999					
Resolution of the indicating device[m3]:		0.00005					
Flow profile sensitivity classes:		U0 D0					
Orientation limitation:		HORIZONTAL					
Size	mm	15	20	25	32	40	
L	mm	165	190	260	260	300	
L+unions	mm	255	286	372	372	420	
H	mm	100	100	110	110	120	
W	mm	81	81	86	86	115	
D	mm	3/4"	1"	1 1/4"	1 1/4"	2"	
Connection Thread:		G½B	G1½B	G1½B	G1½B	G2B	
Weight	with unions	kg	1	1.3	2.3	2.3	3.9
	without unions	kg	0.82	1.1	1.8	1.8	2.9